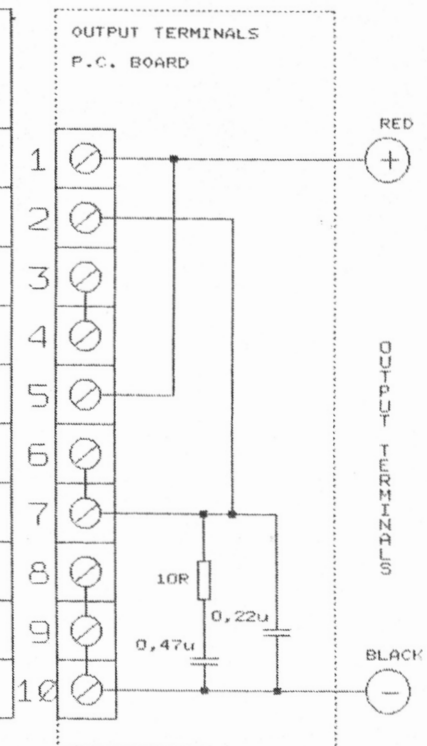


	Dipl.-Ing. D.KLIMO GmbH Orchideenweg 2-4 D-7410 Reutlingen GERMANY	
	Title: KENT AUDIO POWER AMPLIFIER 35W	
	Size: 8	Document Number: REV
	Date: January 29, 1981 Sheet 1 of 1	

16 OHM LOAD	8 OHM LOAD	4 OHM LOAD	1 OHM LOAD
red/black	brown	yellow/brown	red/black
	yellow/brown		red
red		brown	
yellow/brown		black	
	black	red/black	yellow/brown
	red/black		
black			yellow
	yellow	yellow	brown
yellow	red	red	black
⊥	⊥	⊥	⊥

brown n.c.



Dipl.Ing. D.KLIMO GmbH
Orchideenweg 2-4
D-7410 Reutlingen GERMANY

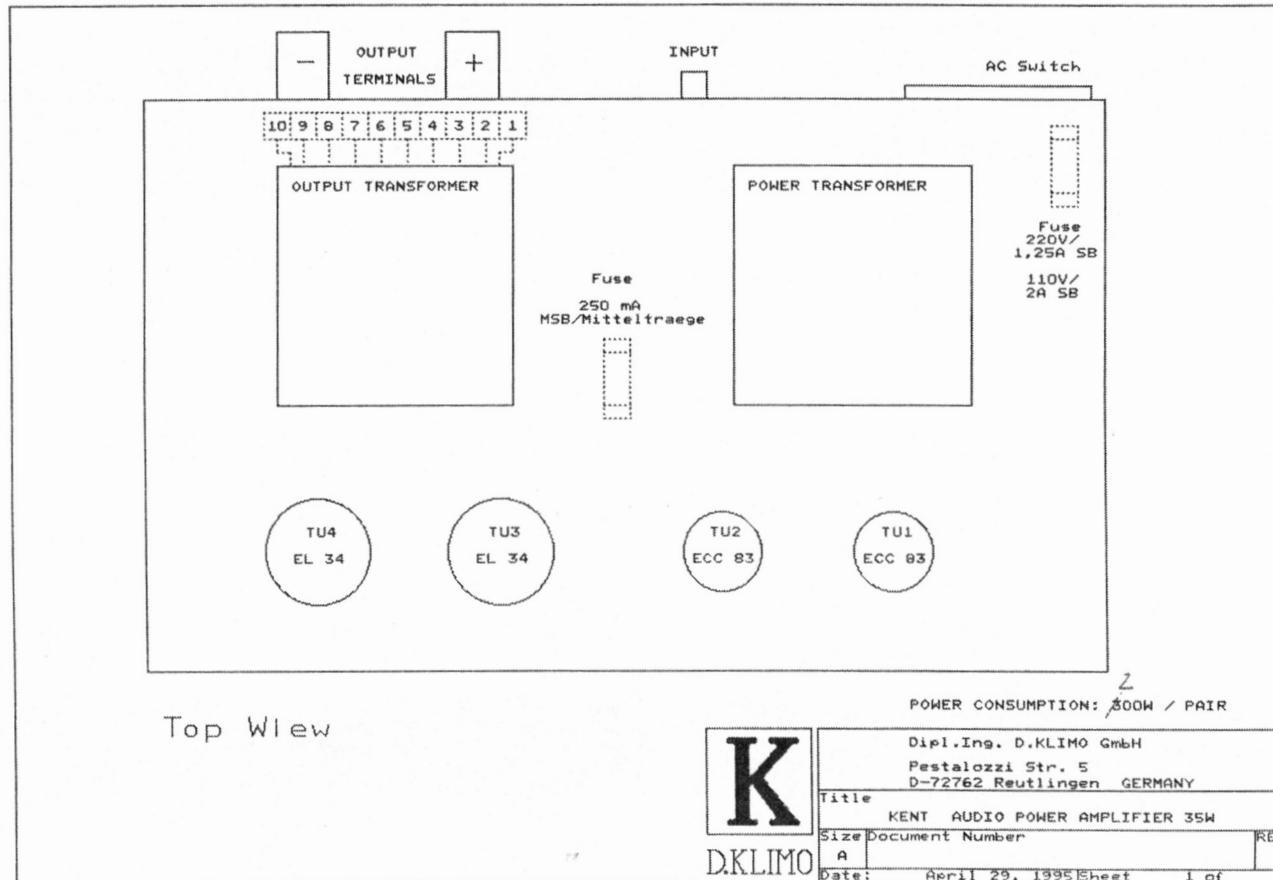
Title
KENT OUTPUT TRANSFORMER WIRING DIAGRAM

Size Document Number

A

REV

Date: January 28, 1991 Sheet 1 of 1



Dipl. Ing. D. KLIMO GmbH Pestalozzi Str. 5 D-72762 Reutlingen GERMANY	
Title KENT AUDIO POWER AMPLIFIER 35W	
Size A	Document Number REV
Date: April 29, 1995	Sheet 1 of 1



D.KLIMO

TITLE	ARTICLE NAME AND SPECIFICATIONS
C 1	Electrolytic Capacitor 2200 uF 10V
C 2	Electrolytic Capacitor 200 uF 550V
C 3	Capacitor 0,033 uF 400V MKP
C 4	Capacitor 220 pF 63V EDPU
C 5	Capacitor 0,033 uF 400V MKP
C 6	Electrolytic Capacitor 47 uF 450V
C 7	Capacitor 0,1 uF 400V MKP
C 8	Capacitor 0,1 uF 400V MKP
C 9	Capacitor 220 pF 400V Ceramic
C 10	Capacitor 220 pF 400V Ceramic
C 11	Electrolytic Capacitor 47 uF 450V
C 12	Electrolytic Capacitor 470 uF 100V
C 13	Capacitor 0,1 uF 400V MKP
C 14	Capacitor 0,1 uF 400V MKP
C 15	Capacitor 39 pF 63V EDPU
C 16	Capacitor 120 pF 63V EDPU
C 17	Capacitor 120 pF 63V EDPU
C 18	Capacitor 39 pF 63V EDPU
C 19	Electrolytic Capacitor 470 uF 100V
C 20	Capacitor 0,22 uF 100V MKP
C 21	Capacitor 0,47 uF 100V MKP

KENT AUDIO POWER AMPLIFIER 35W
PART LIST
SIDE 3 OF 4



D.KLIMO

TITLE	ARTICLE NAME AND SPECIFICATIONS
TU 1	Tube ECC 83
TU 2	Tube ECC 83
TU 3	Tube EL 34
TU 4	Tube EL 34
D 1	Diode 1N4007
D 2	Diode 1N4007
D 3	Diode 1N4007
D 4	Diode 1N4007
BR 1	Bridge Rectifier B40C600
FU 1	Fuse Slow Blow 0,25A
FU 2	Fuse Slow Blow 1,25A (220V Version)
FU 2	Fuse Slow Blow 2A (110V Version)
OT 1	Output Transformer No. 02-08
PT 1	Power Transformer No. 01-03

KENT AUDIO POWER AMPLIFIER 35W
PART LIST
SIDE 4 OF 4



D.KLIMO

TITLE	ARTICLE NAME AND SPECIFICATIONS					
R 1	Resistor	100 kOhm	0,5W	Metallic Film		1%
R 2	Resistor	10 kOhm	0,5W	Metallic Film		1%
R 3	Resistor	1 MOhm	0,5W	Metallic Film		1%
R 4	Resistor	2,2 kOhm	1W	Metallic Film		1%
R 5	Resistor	150 kOhm	1W	Metallic Film		1%
R 6	Resistor	6,8 kOhm	1W	Metallic Film		1%
R 7	Resistor	100 kOhm	1W	Metallic Film		1%
R 8	Resistor	1 MOhm	0,5W	Metallic Film		1%
R 9	Resistor	2,2 kOhm	1W	Metallic Film		1%
R 10	Resistor	100 kOhm	1W	Metallic Film		1%
R 11	Resistor	100 Ohm	0,5W	Metallic Film		1%
R 12	Resistor	150 kOhm	1W	Metallic Film		1%
R 13	Resistor	100 Ohm	Variable			
R 14	Resistor	220 Ohm	1W	Metallic Film		1%
R 15	Resistor	220 Ohm	1W	Metallic Film		1%
R 16	Resistor	10 kOhm	2W	Metallic Film		1%
R 17	Resistor	10 kOhm	2W	Metallic Film		1%
R 18	Resistor	1 MOhm	0,5W	Metallic Film		1%
R 19	Resistor	1 MOhm	0,5W	Metallic Film		1%
R 20	Resistor	330 Ohm	1W	Metallic Film		1%
R 21	Resistor	330 Ohm	1W	Metallic Film		1%
R 22	Resistor	100 kOhm	1W	Metallic Film		1%
R 23	Resistor	100 kOhm	1W	Metallic Film		1%

KENT AUDIO POWER AMPLIFIER 35W
PART LIST
SIDE 1 OF 4

